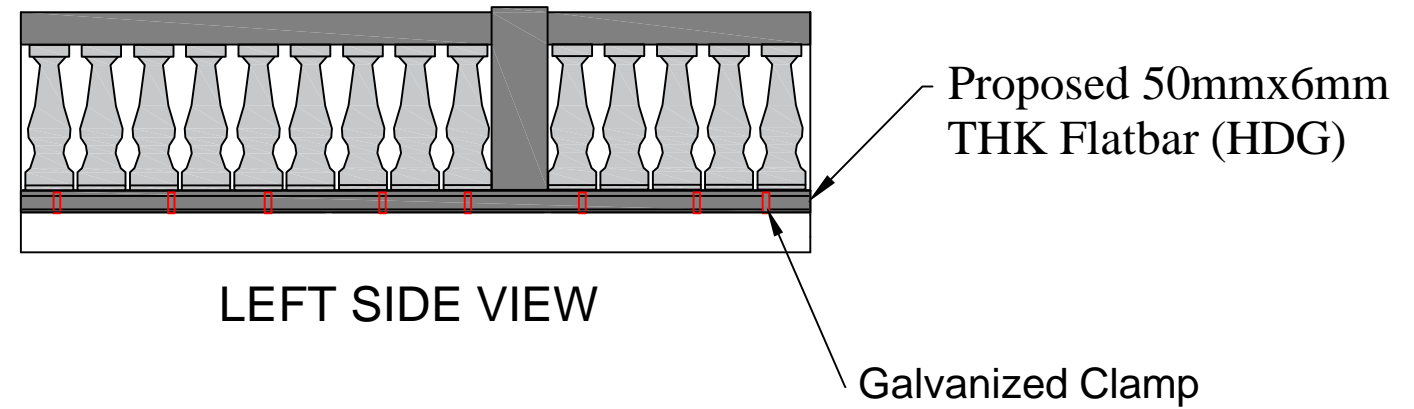
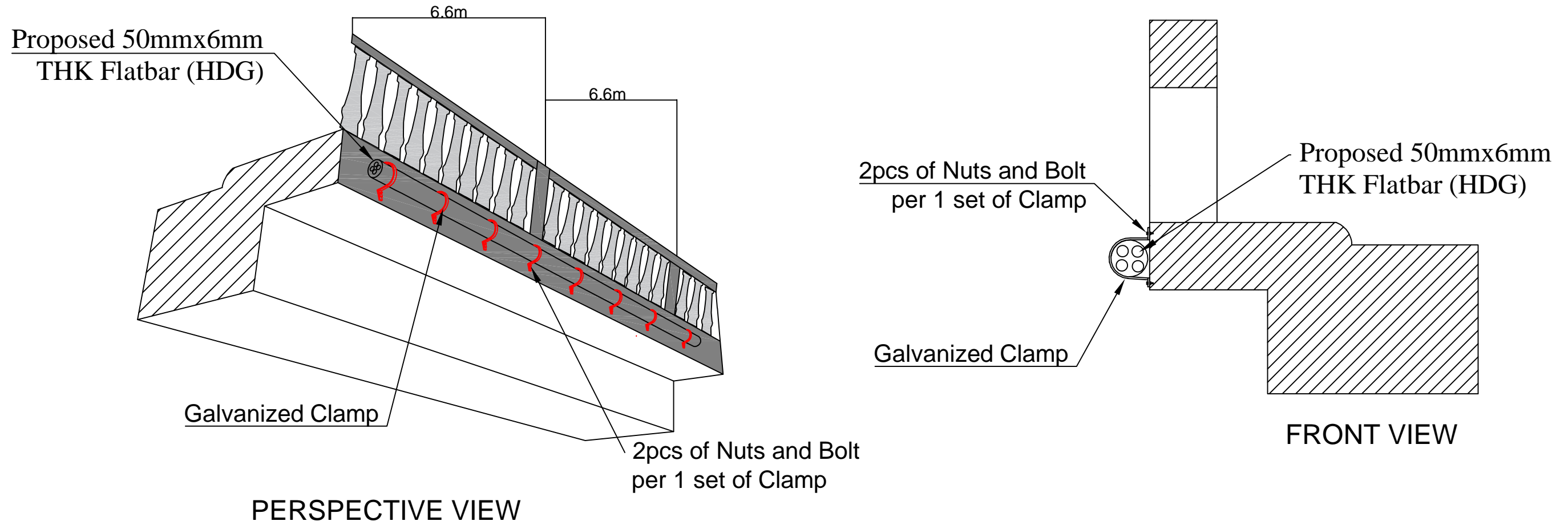
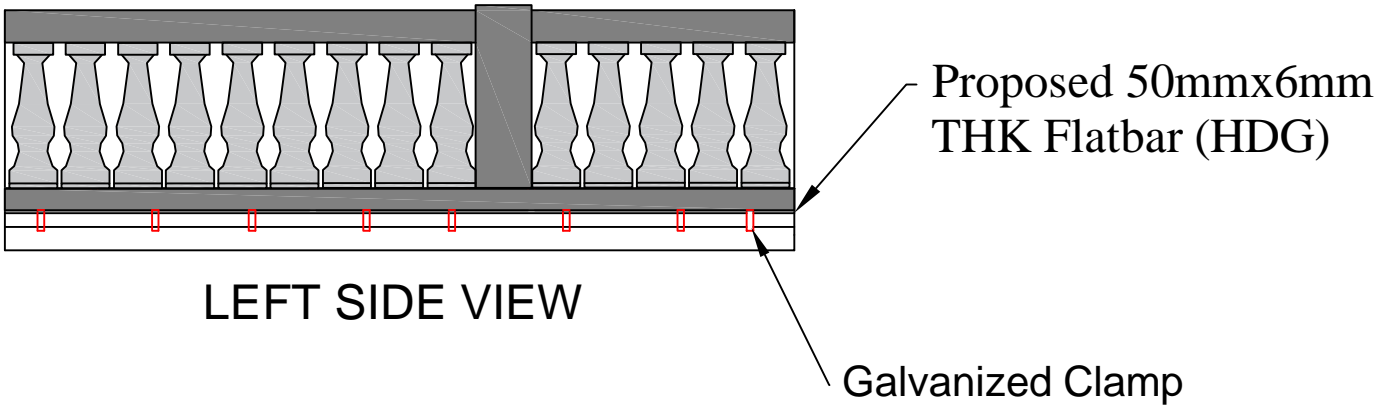
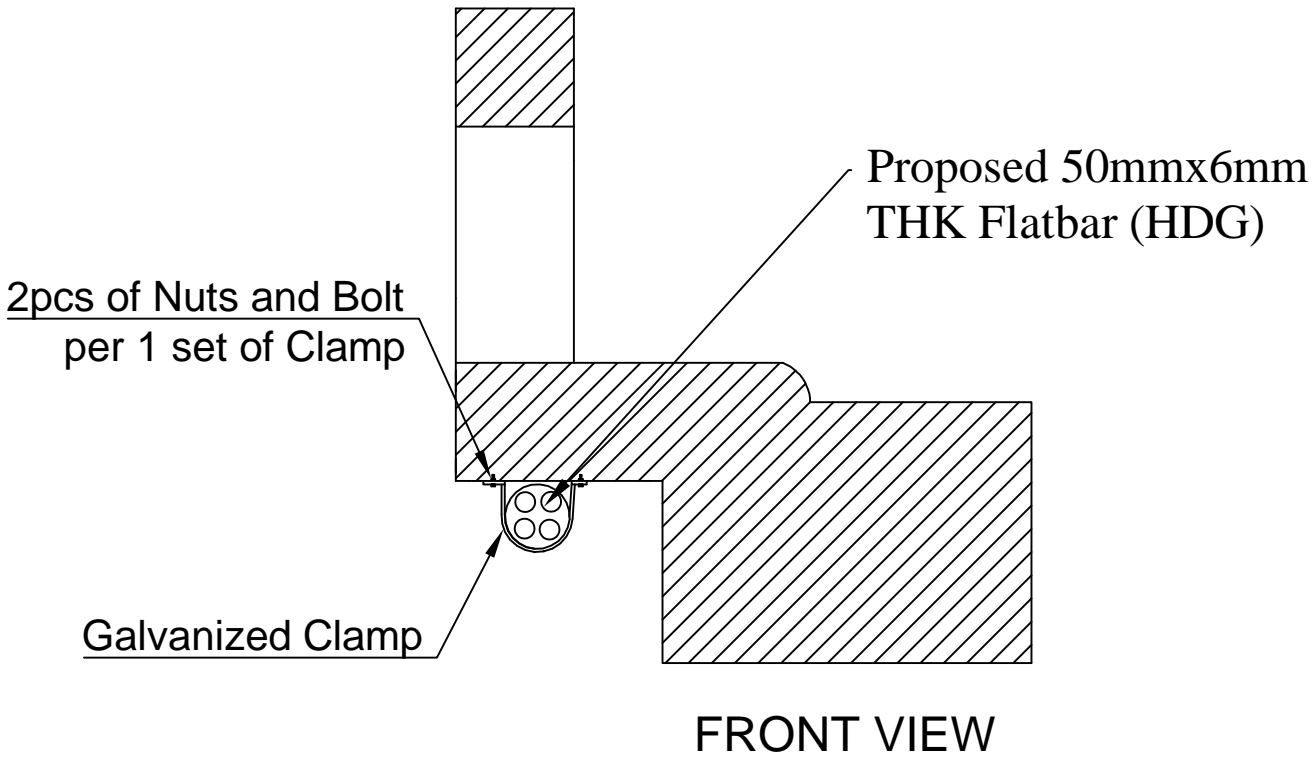
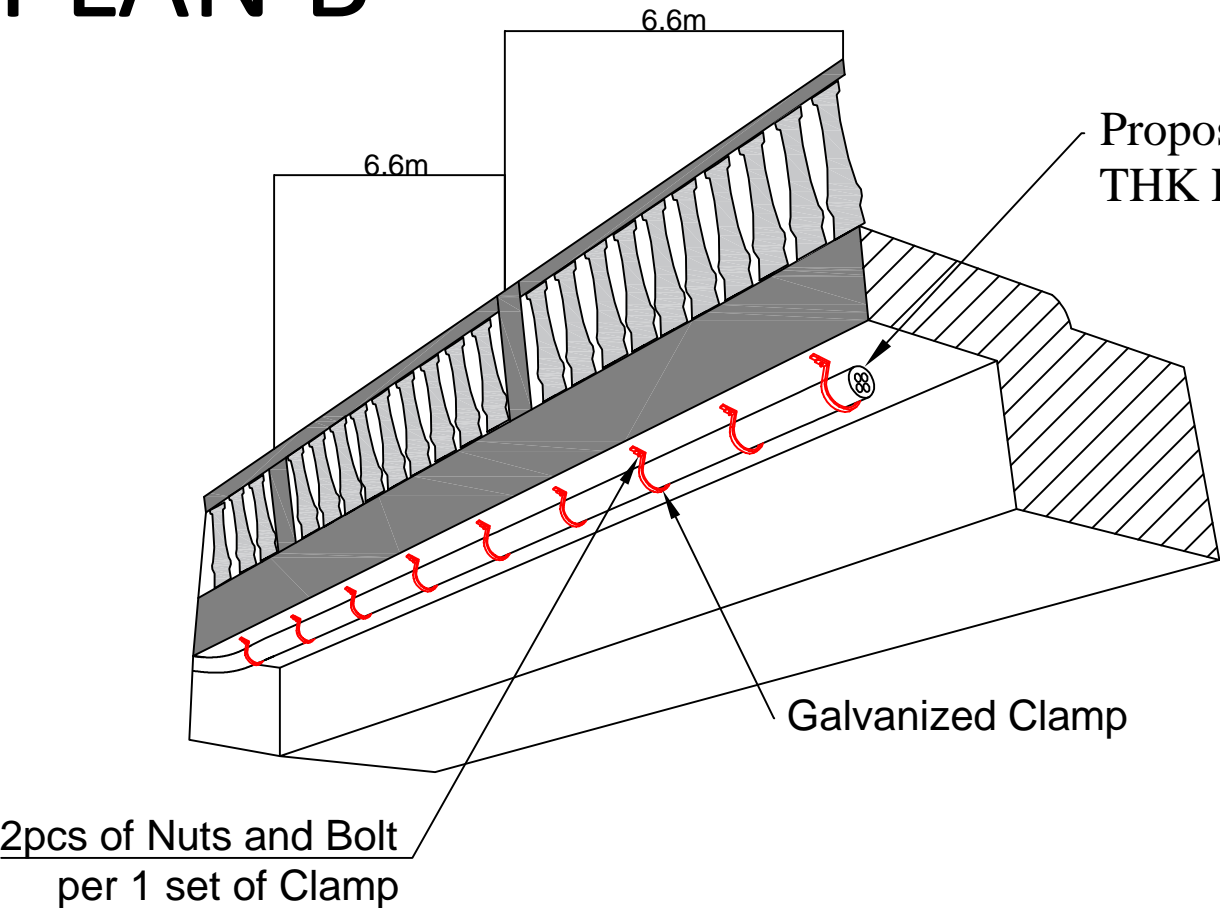


# PLAN A



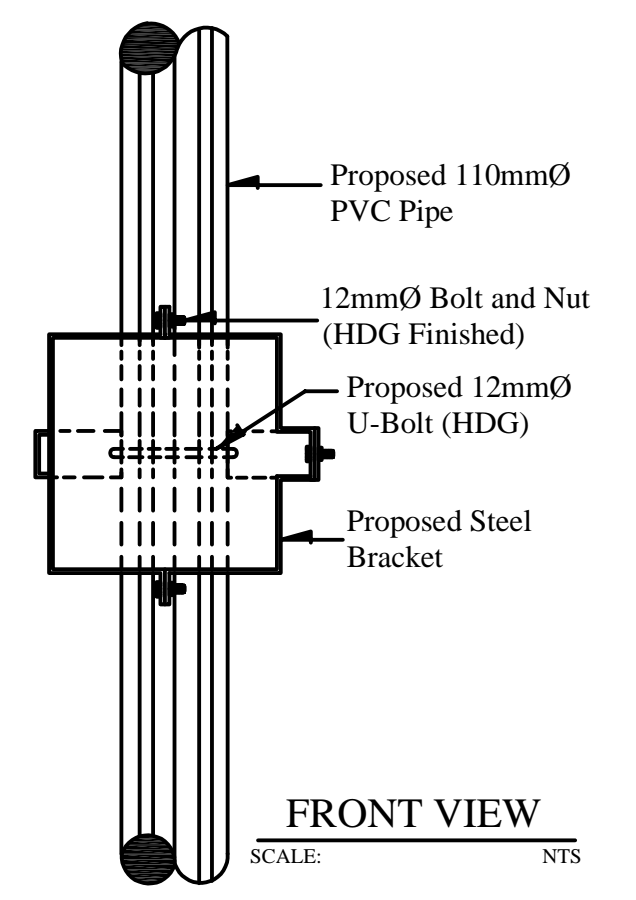
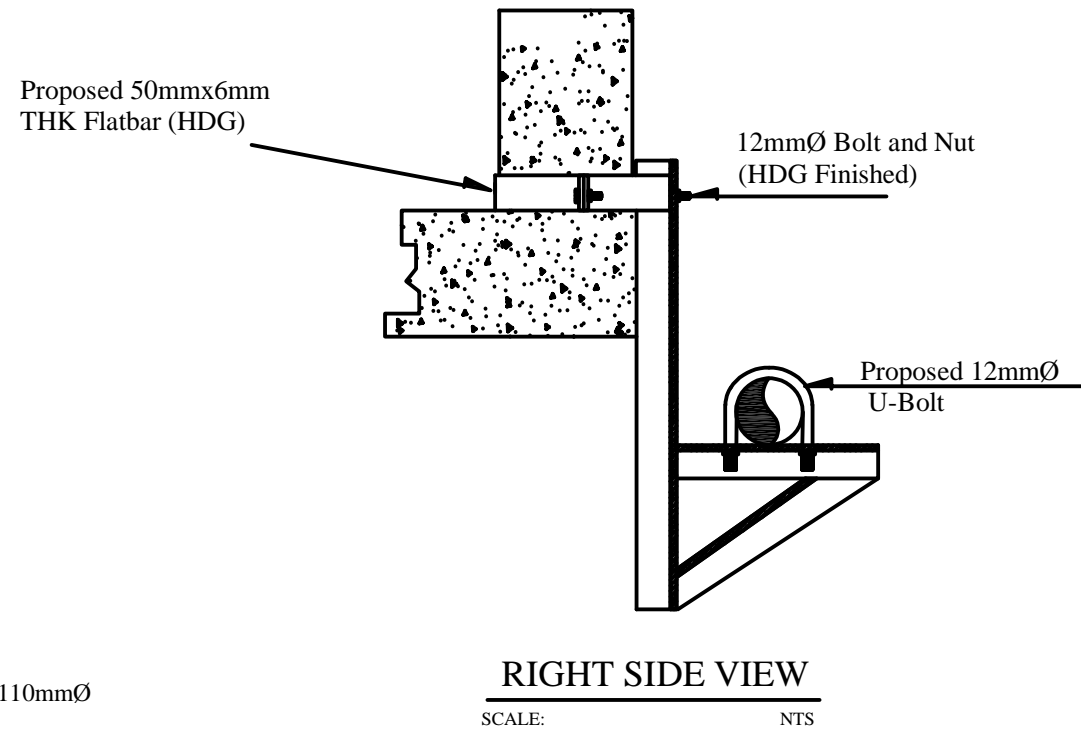
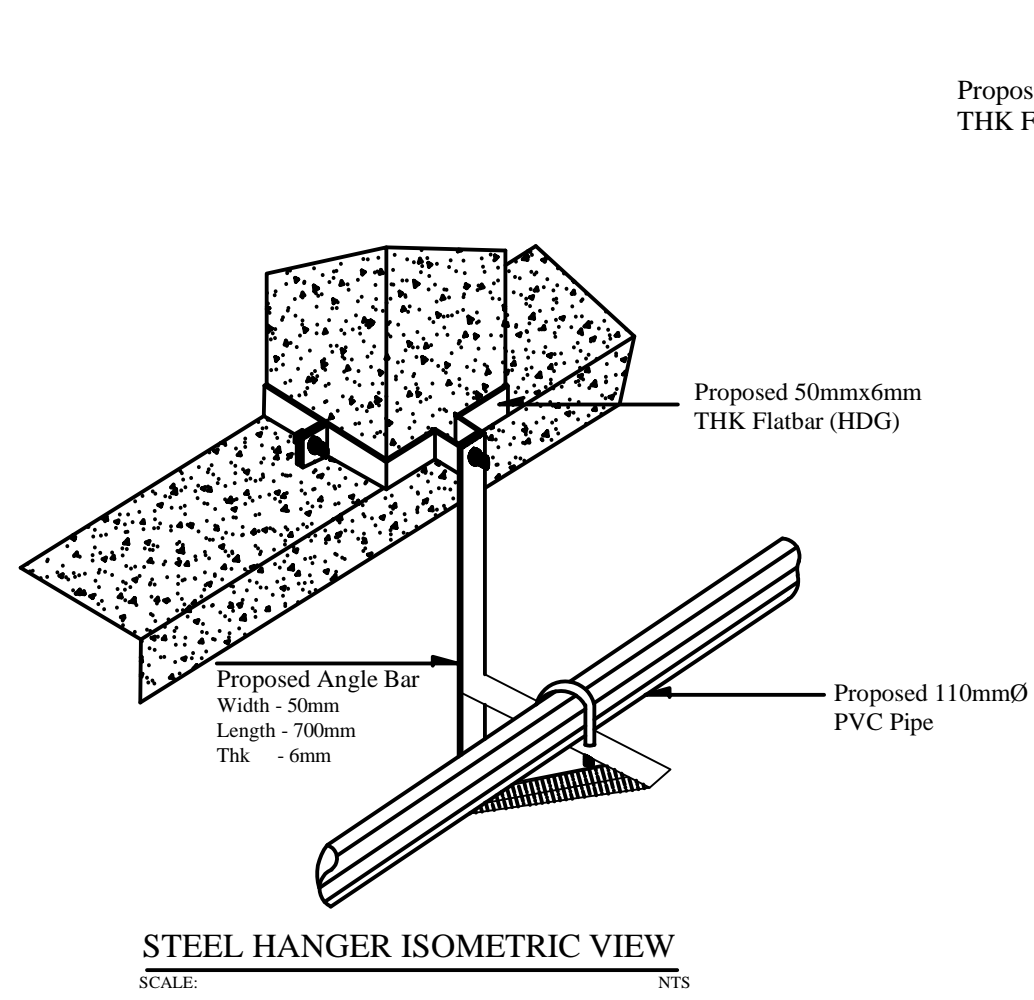
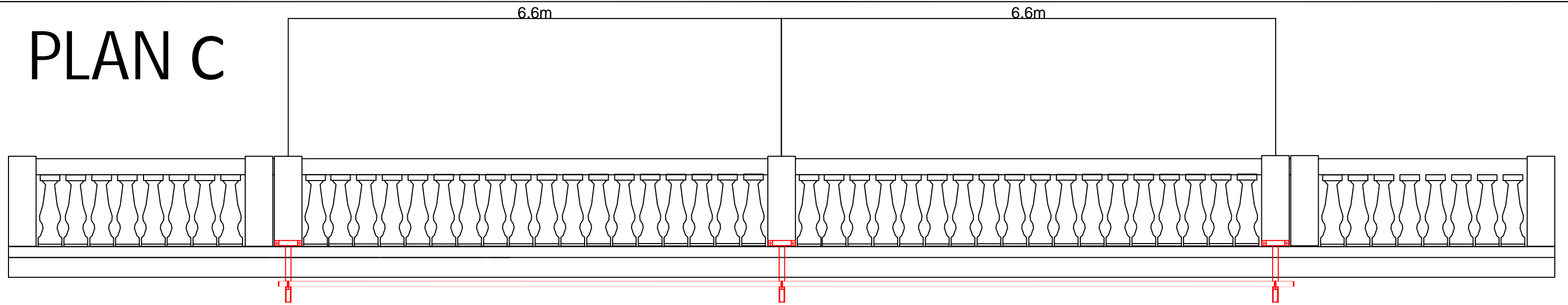
Note: This bridge is 84 meters long, with each span measuring 6.6 meters. A total of 56 galvanized clamps will be installed on this bridge

# PLAN B



Note: This bridge is 84 meters long, with each span measuring 6.6 meters. A total of 56 galvanized clamps will be installed on this bridge

# PLAN C



Note: This bridge is 84 meters long, with each span measuring 6.6 meters.