



202507-LGU-PAGADIAN-01/03

202507-LGU-PAGADIAN-03/03

F.S Fajares Ave

F.S Fajares Ave

PFS006#
N: 7.834021°
E: 123.435481°

PFS005#
N: 7.832244°
E: 123.435883°

PFS004#
N: 7.830296°
E: 123.436289°

PFS003#
N: 7.828277°
E: 123.436725°

1km+000

200m

220m

230m

HOUSE HOUSE

BLACK SCOOP CAFE

HOUSE

HOUSE

HOUSE

HOUSE

HOUSE

HOUSE

HOUSE

SUGAR CAFE

LARANGAN

BLACK HOTEL

SHOP & GO

SOFIA INN

TRINITY DRUG

COOP

HOUSE

WARE TRADING

BARBERS

JO-JU KOREAN

HOUSE

STORE

HOUSE

TUNA GRILL

HOUSE

ALPEO'S PIZZA

HOUSE

CAR AESTHETIC

HOUSE

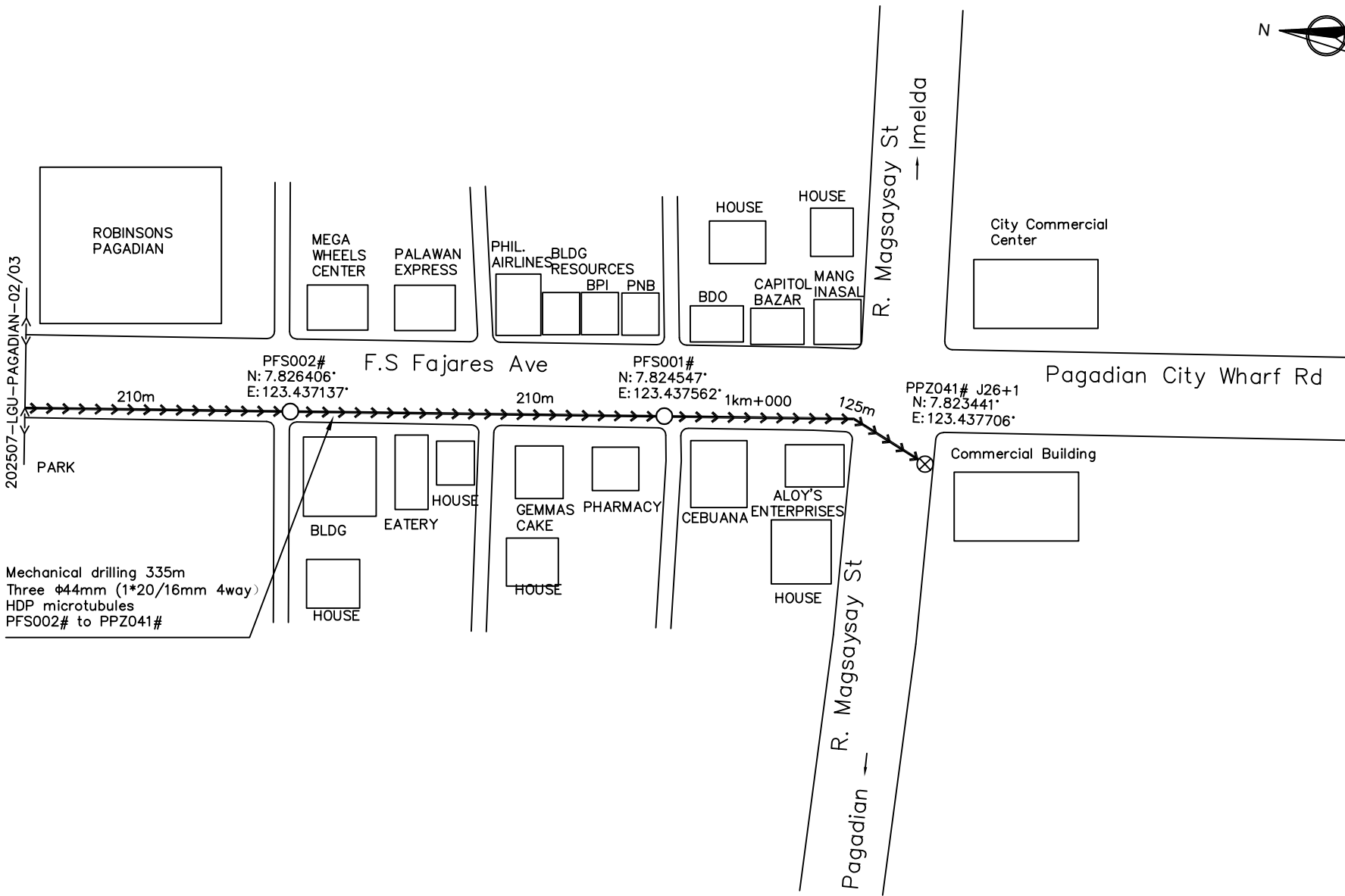
LASH & LOOKS

HOUSE

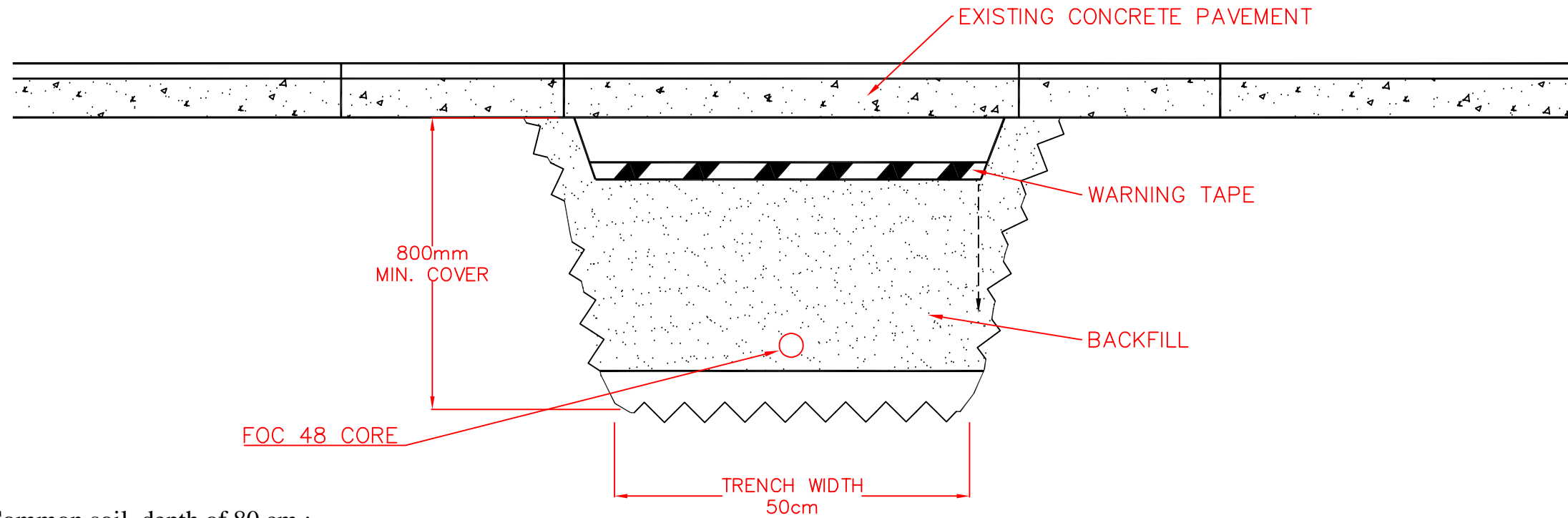
MON JOE'S



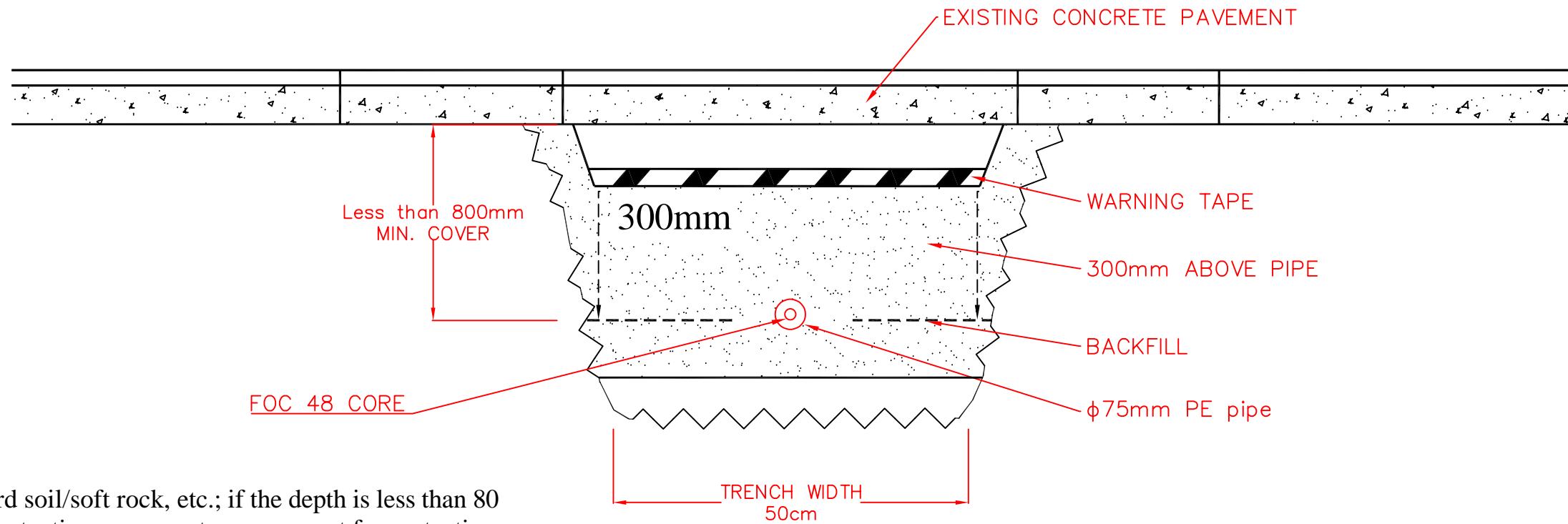
Mechanical drilling 860m
Three $\phi 44\text{mm}$ (1*20/16mm 4way)
HDP microtubules
PFS006# to PFS003#



MANUAL EXCAVATION & RESTORATION



Burial depth: Common soil, depth of 80 cm ;



Burial depth: hard soil/soft rock, etc.; if the depth is less than 80 cm, use tubing protection or concrete encasement for protection.