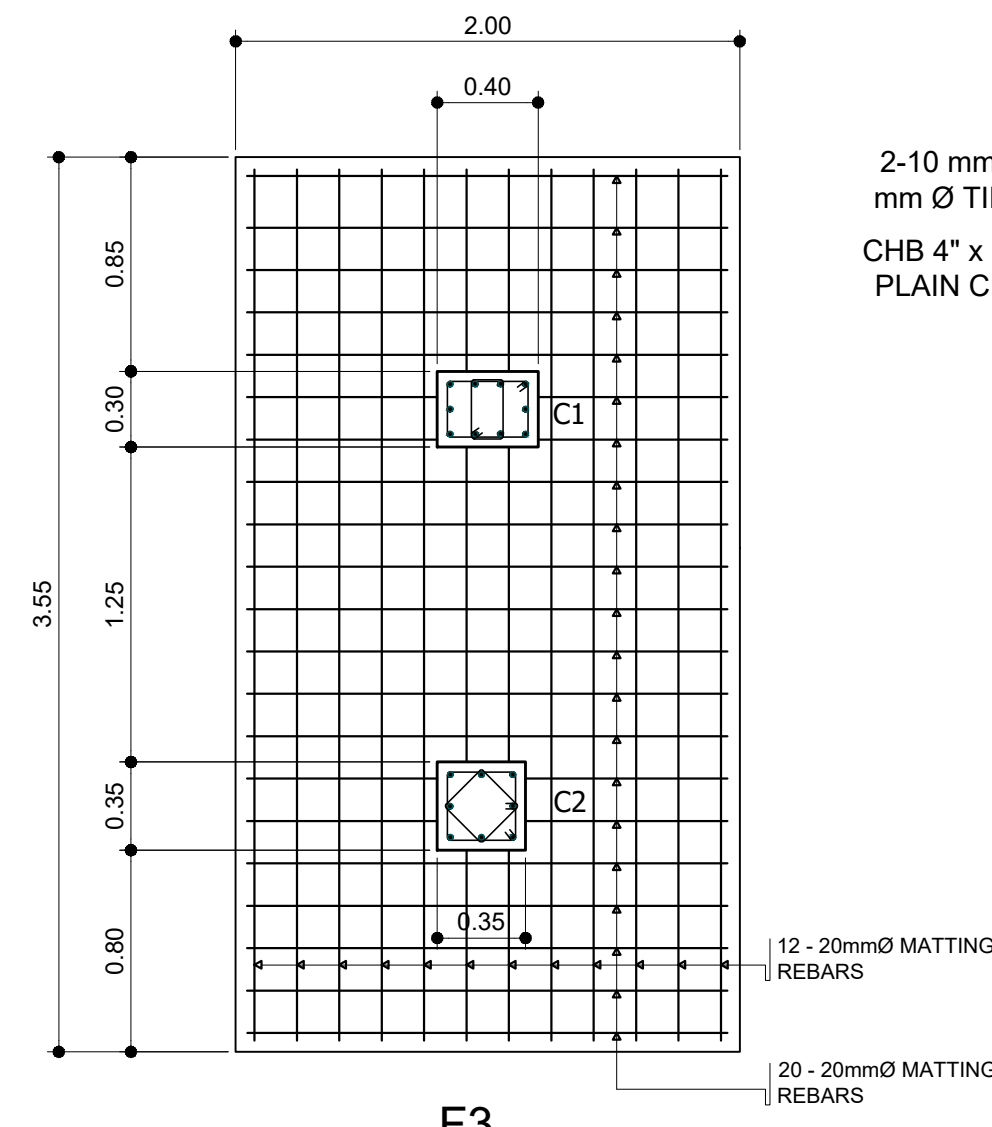
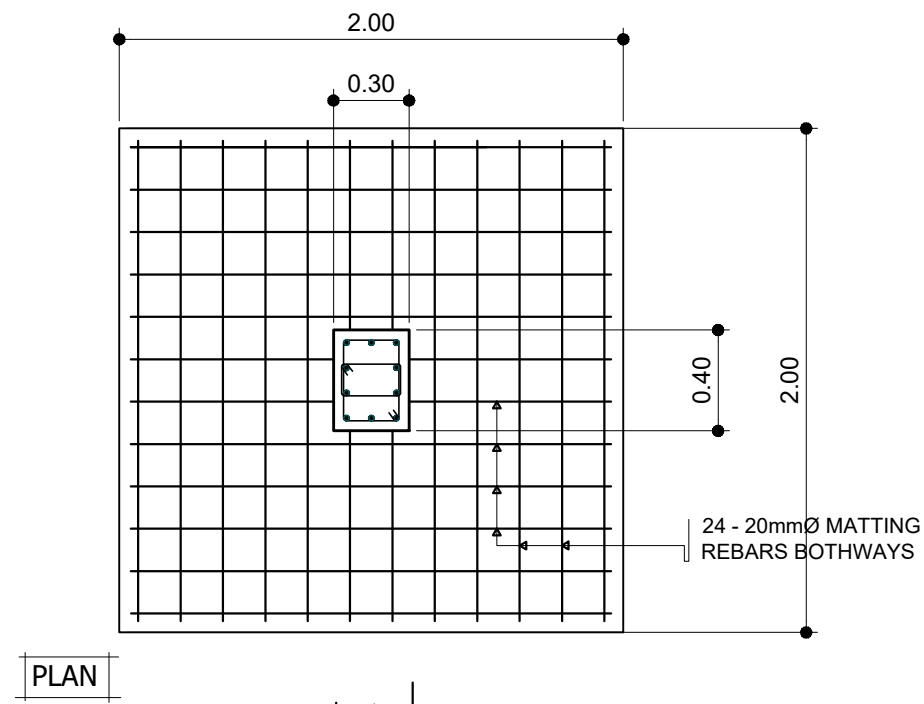


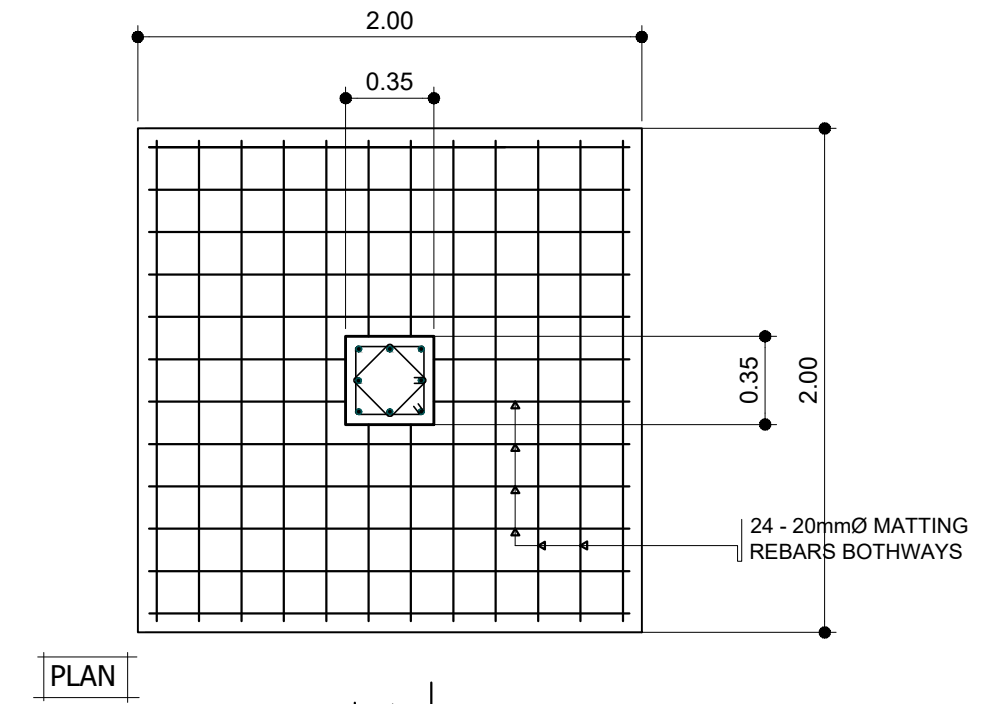
F2



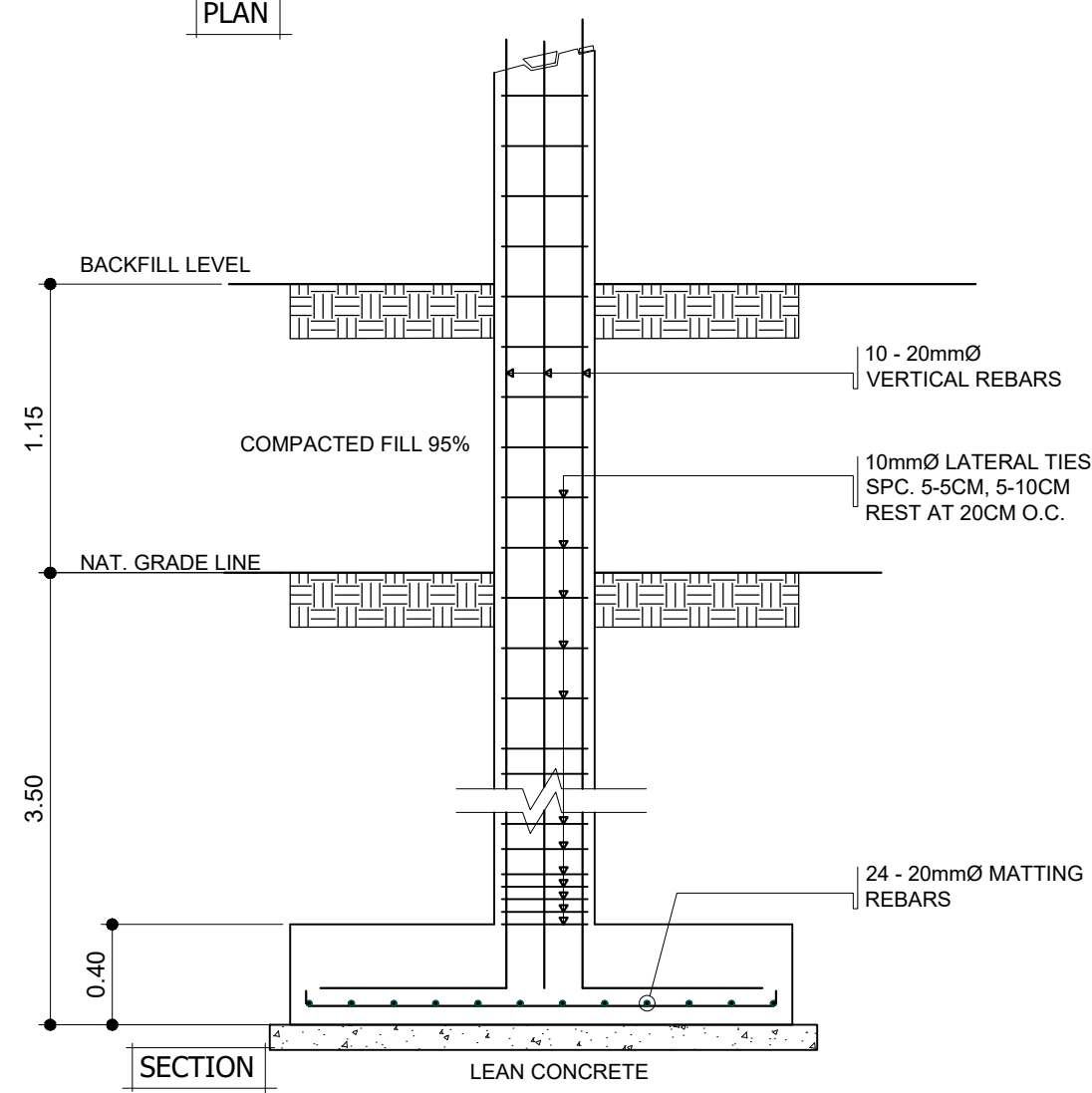
F3



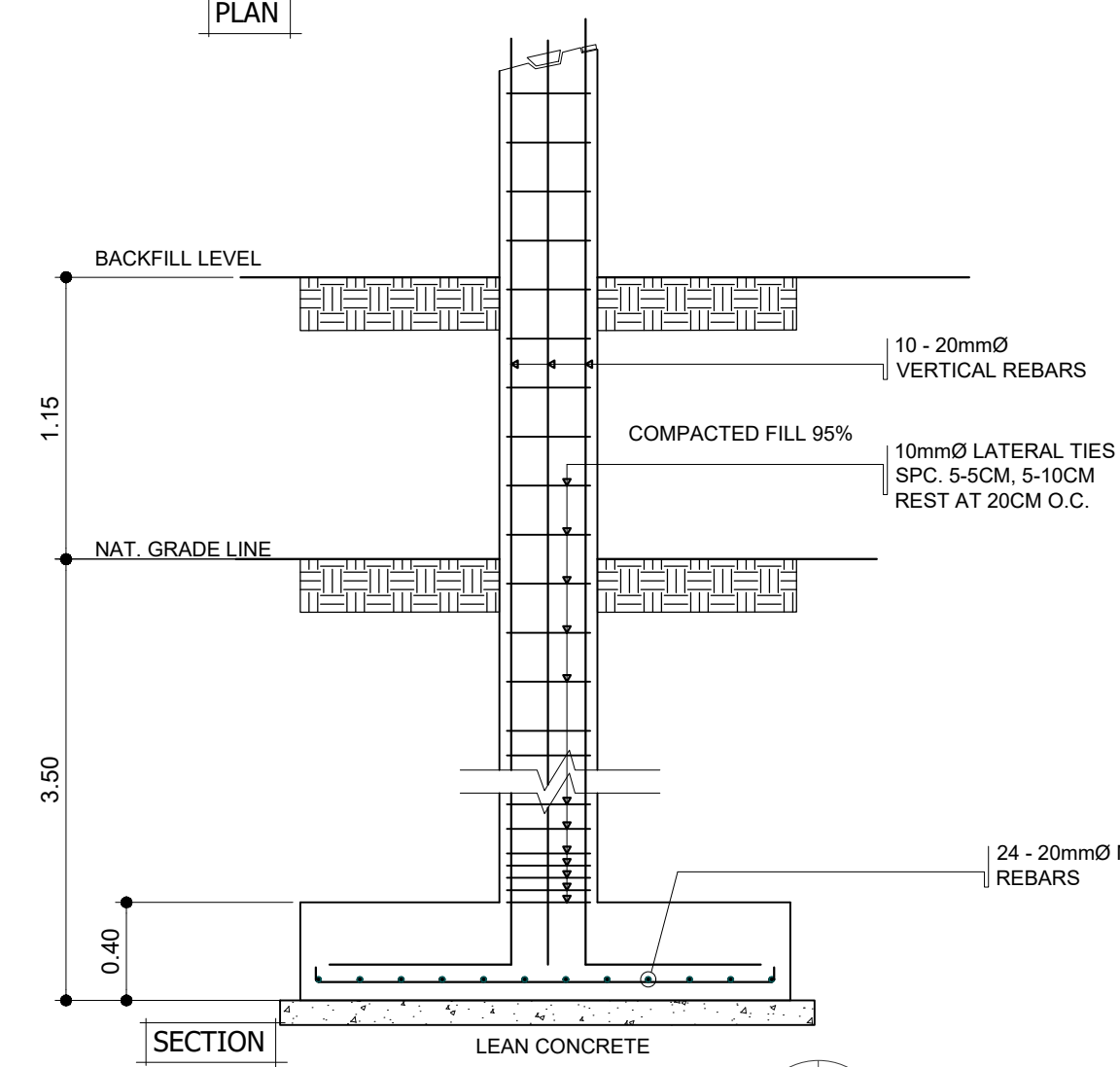
PLAN



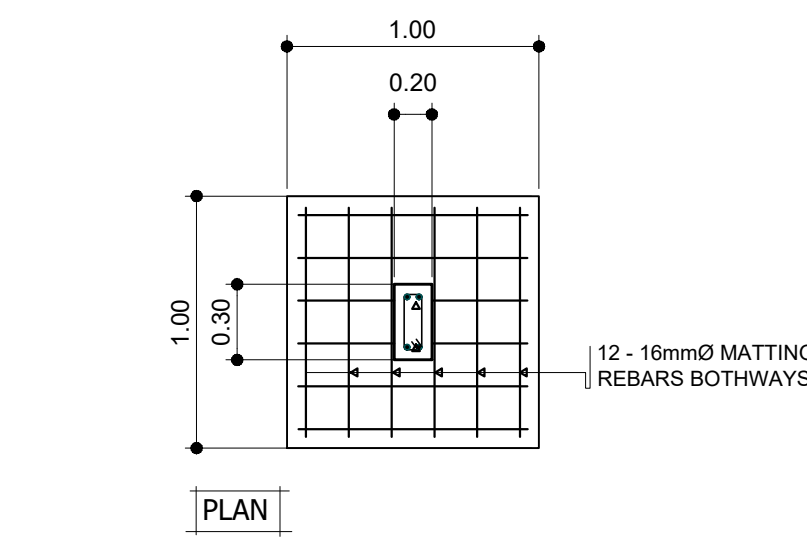
PLAN



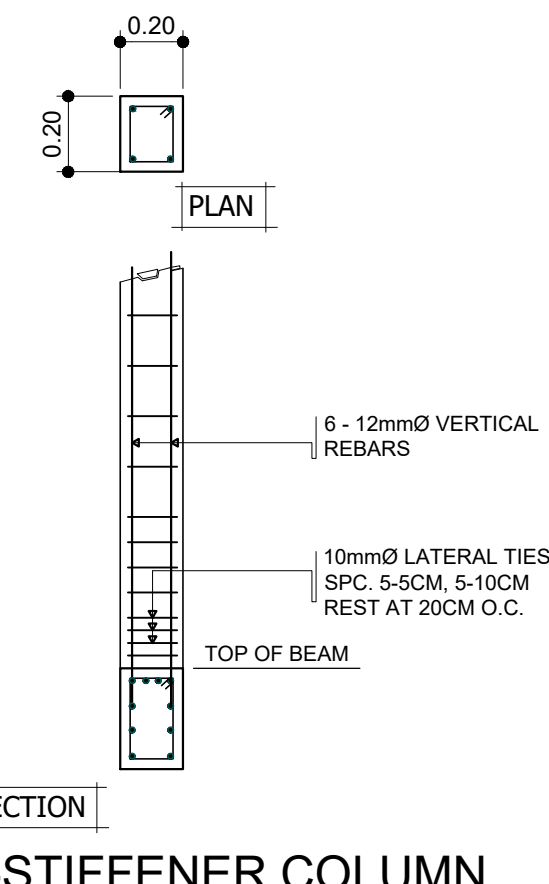
F1C1



F1C2



PLAN



SECTION

FOOTING SCHEDULE

- NOTES:
1. CONCRETE COMPRESSIVE STRENGTH  $FC' = 3,000$  PSI
  2. REBAR YIELD STRENGTH  $FY$   
GRADE 40 =  $\phi 12MM, \phi 10MM$
  3. ALLOWABLE SOIL BEARING CAPACITY,  $SBC = 3,000$  PSF (144 KPA)
  4. DEPTH OF EXCAVATION TO BOTTOM OF FOOTING(F1C1) = 3.50M
  5. DEPTH OF EXCAVATION TO BOTTOM OF FOOTING(F1C2) = 3.50M
  6. DEPTH OF EXCAVATION TO BOTTOM OF FOOTING(F2),(F3) = 3.50M
  7. DEPTH OF EXCAVATION TO BOTTOM OF FOOTING(F4C3) = 2.50M

COLUMN SCHEDULE

- NOTES:
1. CONCRETE COMPRESSIVE STRENGTH  $FC' = 3,000$  PSI
  2. REBAR YIELD STRENGTH  $FY$   
GRADE 40 =  $\phi 20MM, \phi 16MM$   
GRADE 33 =  $\phi 12MM, \phi 10MM$
  3. WORK THIS DRAWING WITH TYPICAL COLUMN DETAIL

FOOTING AND COLUMN DETAIL

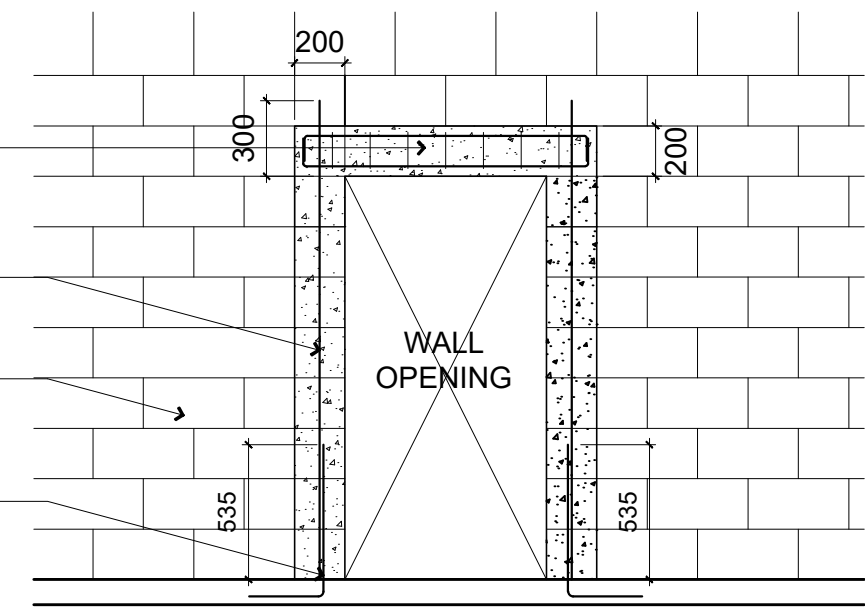


SCALE 1:30 M

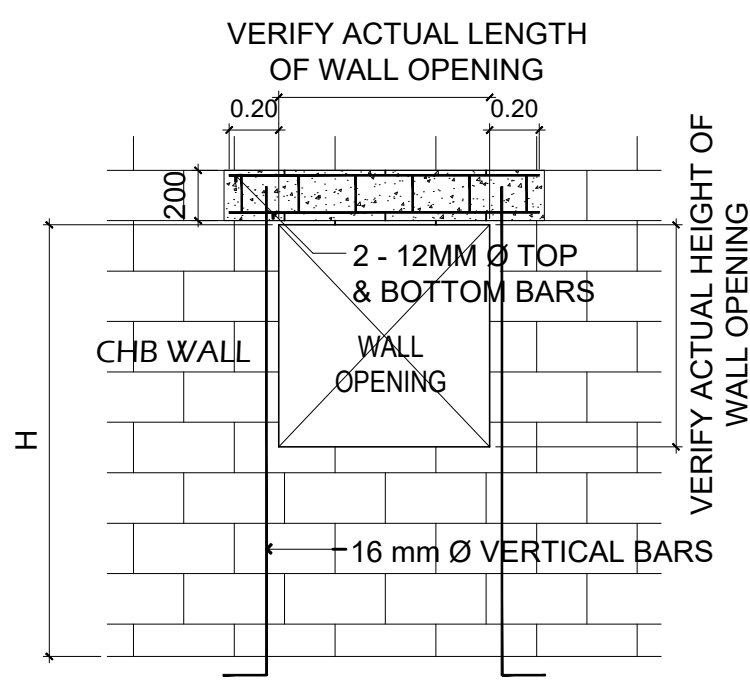
LINTEL BEAM ON TOP OF WALL OPENING

2-10 mm  $\phi$  VERTICAL BAR WITH 10 mm  $\phi$  TIES PER SIDE OF OPENING  
CHB 4" x 8" x 16" WALL WITH 16 mm PLAIN CEMENT PLASTER 1:2 Ratio PAINTED FINISH

12 mm  $\phi$  DOWEL



WALL OPENING DETAIL



VERIFY ACTUAL LENGTH OF WALL OPENING

0.20 0.20

2 - 12MM  $\phi$  TOP & BOTTOM BARS

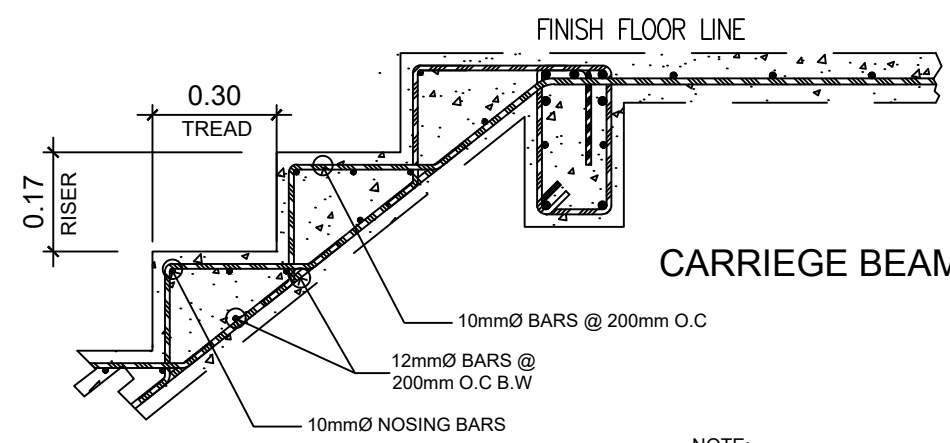
WALL OPENING

CHB WALL

H

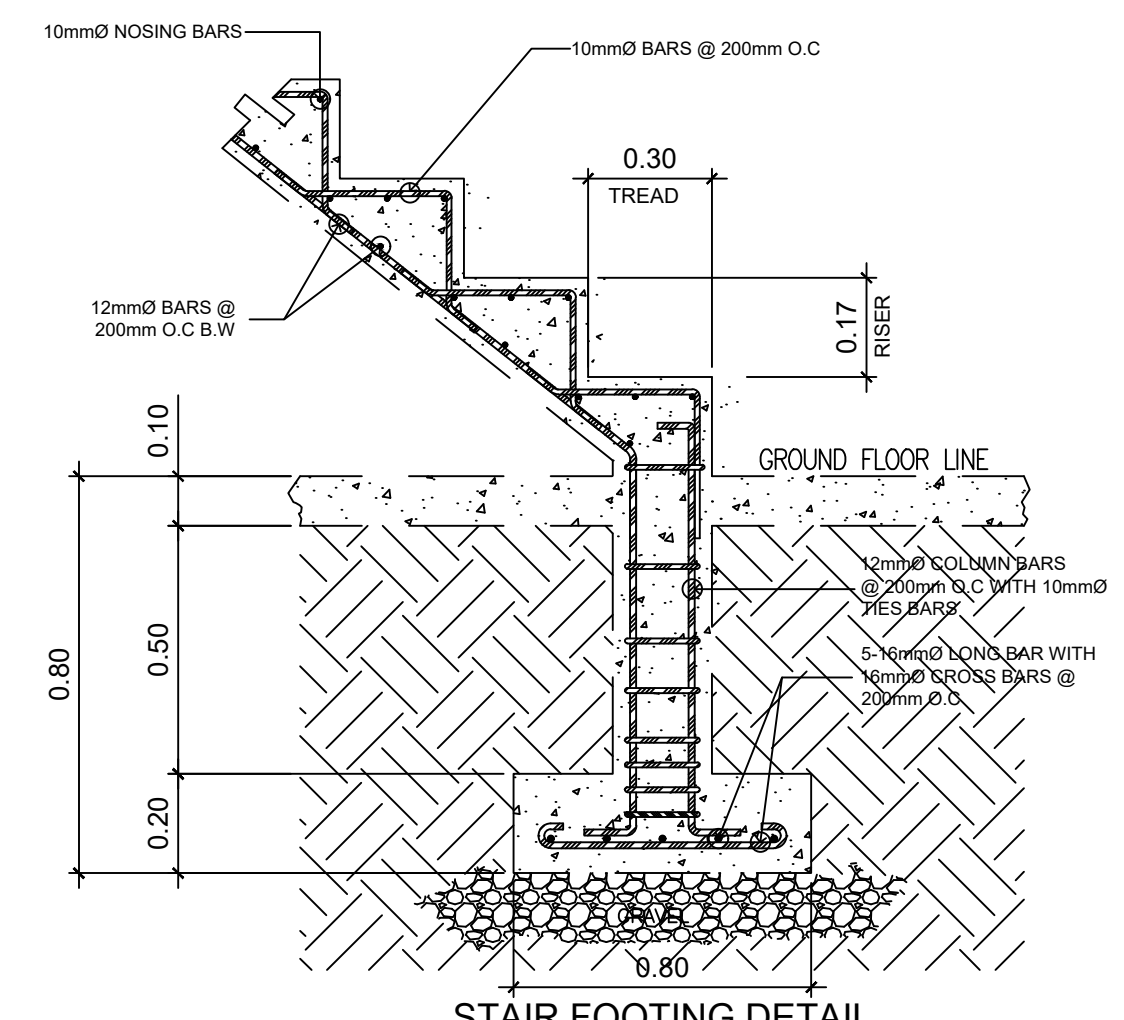
16 mm  $\phi$  VERTICAL BARS

VERIFY ACTUAL HEIGHT OF WALL OPENING

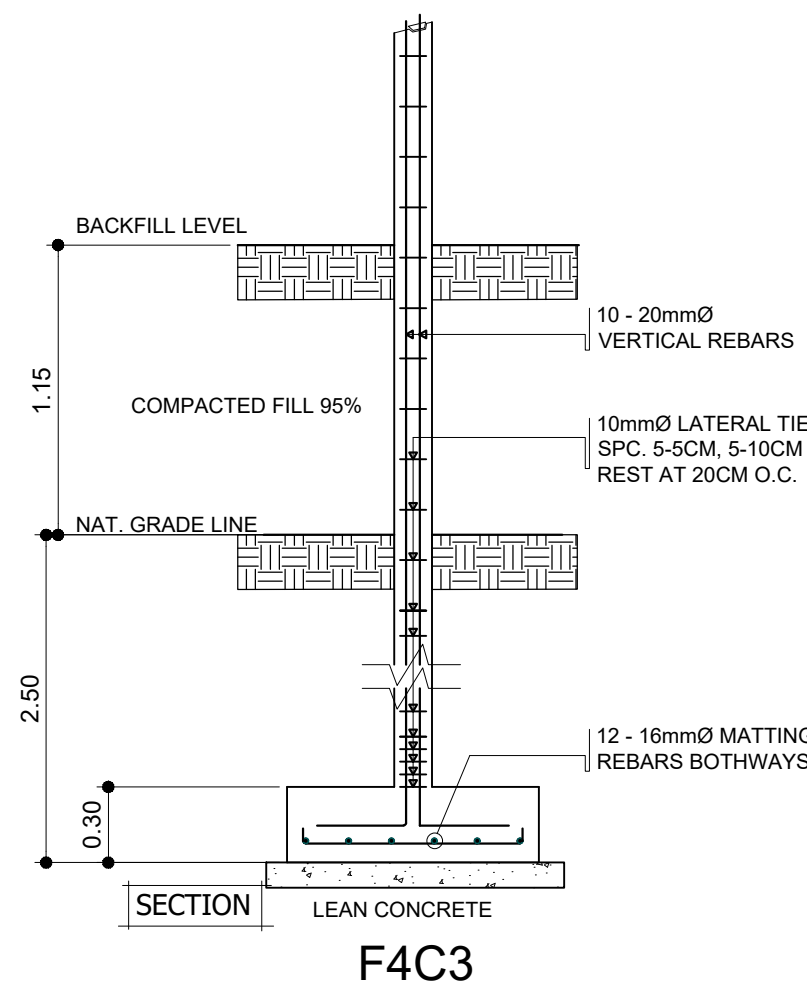


CARRIAGE BEAM DETAIL

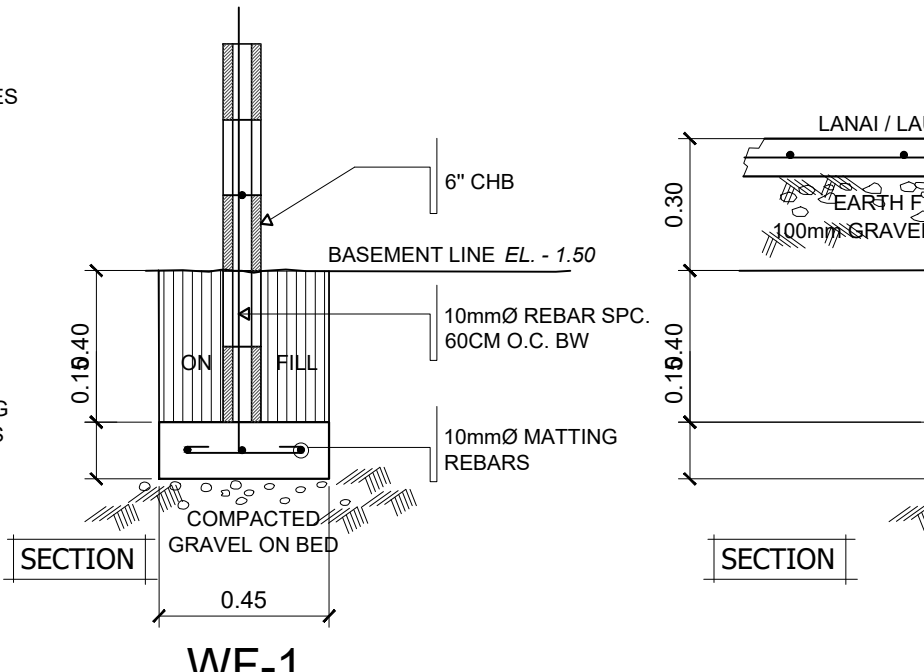
- NOTE:
- BASEMENT TO FIRST FLOOR RISER = 0.17M
  - FIRST FLOOR TO SECOND FLOOR RISER = 0.18M
  - SECOND FLOOR TO ROOF DECK RISER = 0.17M
  - ALL TREAD = 0.30M



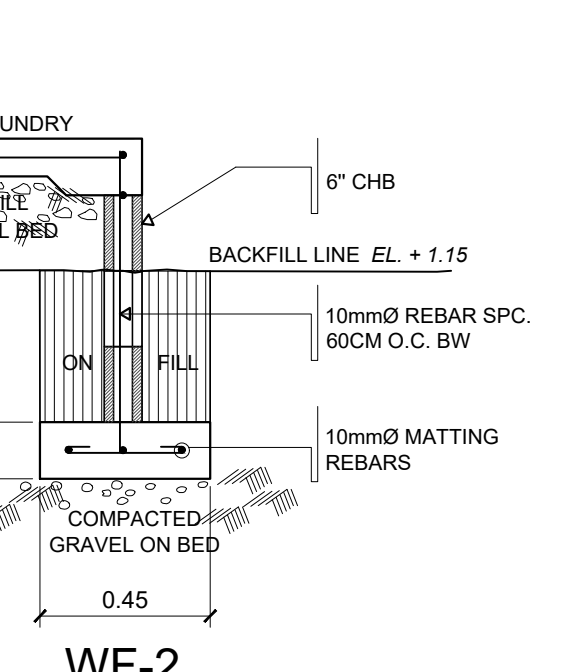
STAIR FOOTING DETAIL



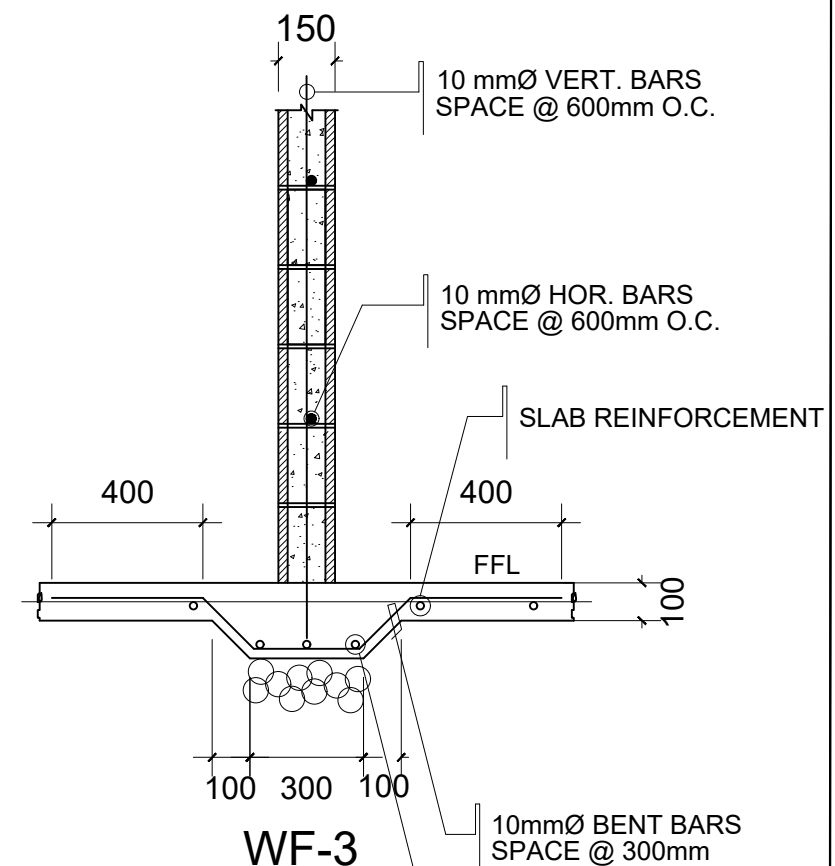
F4C3



WF-1



WF-2



WF-3

WALL FOOTING DETAILS



SCALE 1:20 M

|                |          |         |          |                            |                                       |                          |                          |   |    |
|----------------|----------|---------|----------|----------------------------|---------------------------------------|--------------------------|--------------------------|---|----|
| DESIGNED BY :  | PRC NO : | S E A L | PROJECT  | PROP. RESIDENTIAL BUILDING | APPROVED AS TO PLAN AND SPECIFICATION | SHEET CONTENTS           | SHEET NO                 |   |    |
| CIVIL ENGINEER | PTR NO : |         | LOCATION |                            | GAMUTON, LANUZA, SURIGAO DEL SUR      | MARIA CLAIR D. MILITANTE |                          | . FOOTING AND COLUMN DETAILS<br>. WALL FOOTING DETAILS<br>. CHB WALL OPENING DETAIL<br>. STAIR FOOTING DETAIL | S4 |
|                | DATE :   |         | OWNER    |                            |                                       |                          | MARIA CLAIR D. MILITANTE |   | S5 |
|                | TIN NO : |         |          |                            |                                       |                          | SIGNATURE                |   |    |