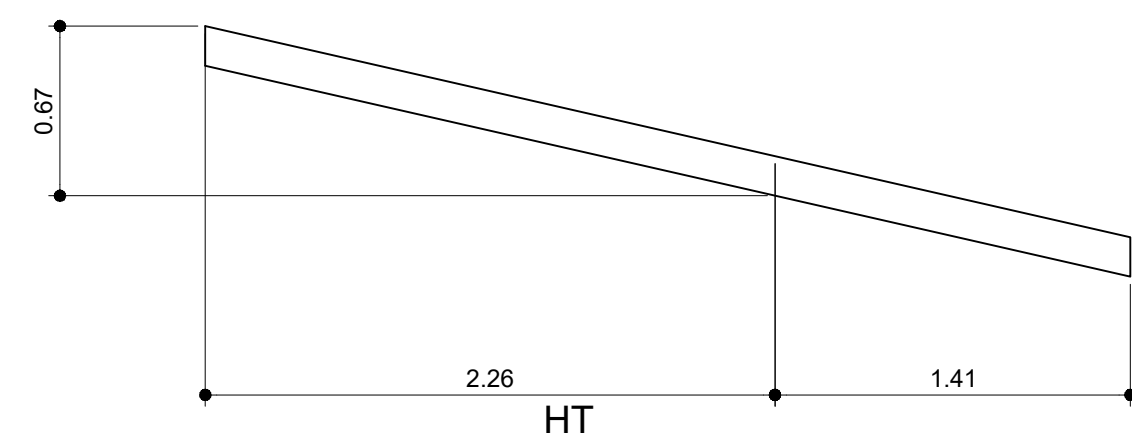
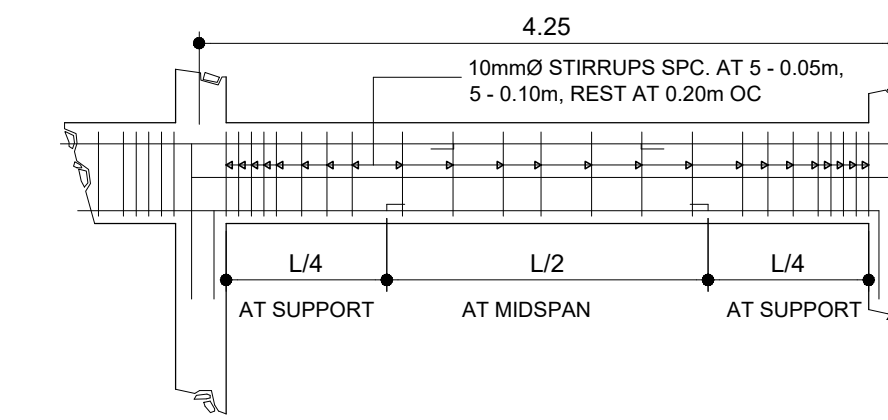


### SCHEDULE OF BEAMS

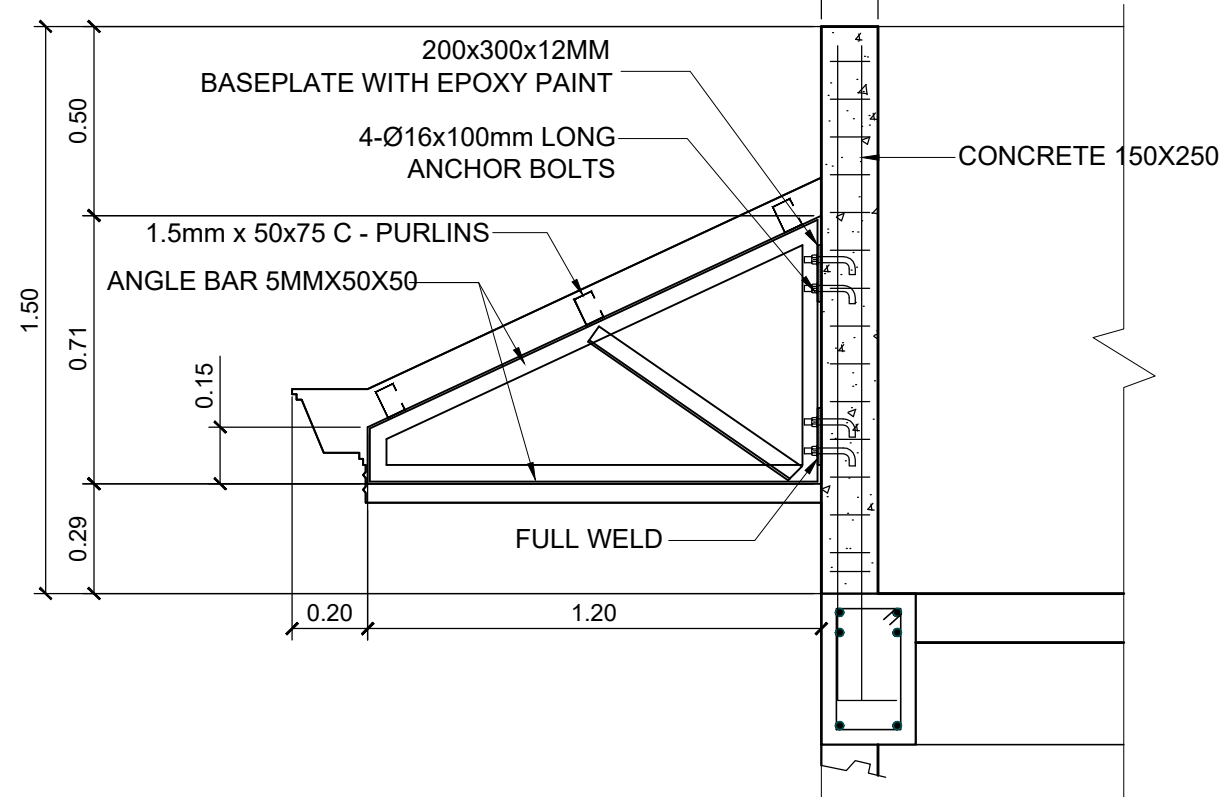
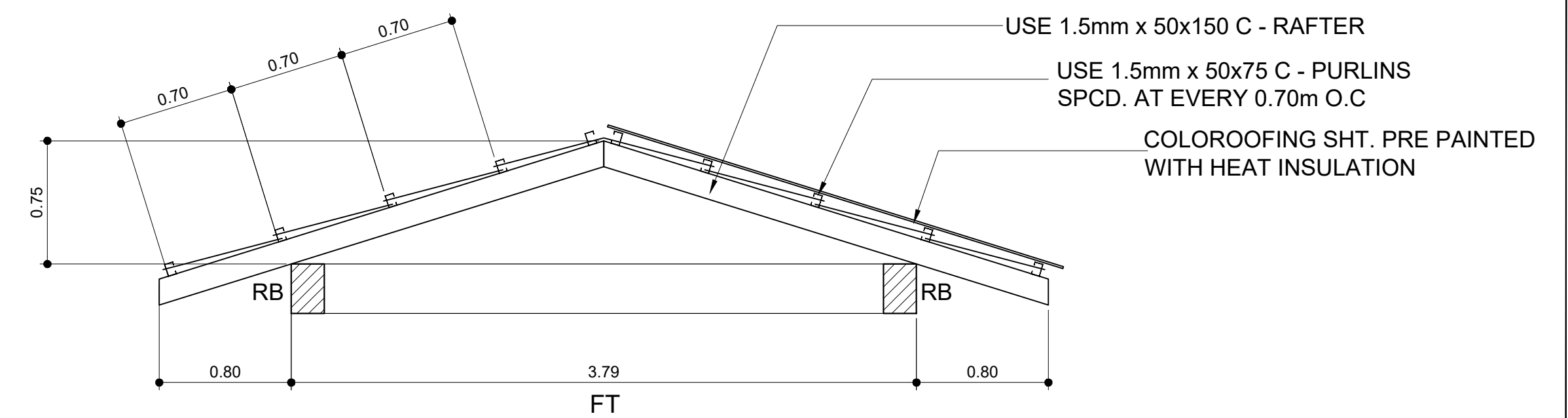
| BEAMS | SIZE(mm)<br>WIDTH x DEPTH | REINFORCEMENT                 |                               | STIRRUPS<br>10mmØ REBARS                  |
|-------|---------------------------|-------------------------------|-------------------------------|---|
|       |                           | @SUPPORT                      | @MIDSPAN                      |   |
| GB    | 250 x 400                 | 2-20mmØ<br>4-20mmØ            | 4-20mmØ<br>2-20mmØ            | 5 - 0.05m, 5 - 0.10m,<br>REST AT 0.20m OC |
| B1    | 250 x 400                 | 4-20mmØ<br>2-20mmØ<br>2-20mmØ | 2-20mmØ<br>2-20mmØ<br>4-20mmØ | 5 - 0.05m, 5 - 0.10m,<br>REST AT 0.20m OC |
| B2    | 200 x 350                 | 4-16mmØ<br>2-16mmØ            | 2-16mmØ<br>4-16mmØ            | 5 - 0.05m, 5 - 0.10m,<br>REST AT 0.20m OC |
| B3    | 200 x 300                 | 4-16mmØ<br>2-16mmØ            | 2-16mmØ<br>4-16mmØ            | 5 - 0.05m, 5 - 0.10m,<br>REST AT 0.20m OC |
| RB    | 200 x 300                 | 4-12mmØ<br>2-12mmØ            | 2-12mmØ<br>4-12mmØ            | 5 - 0.05m, 5 - 0.10m,<br>REST AT 0.20m OC |

### SCHEDULE FOR R.C. BEAMS

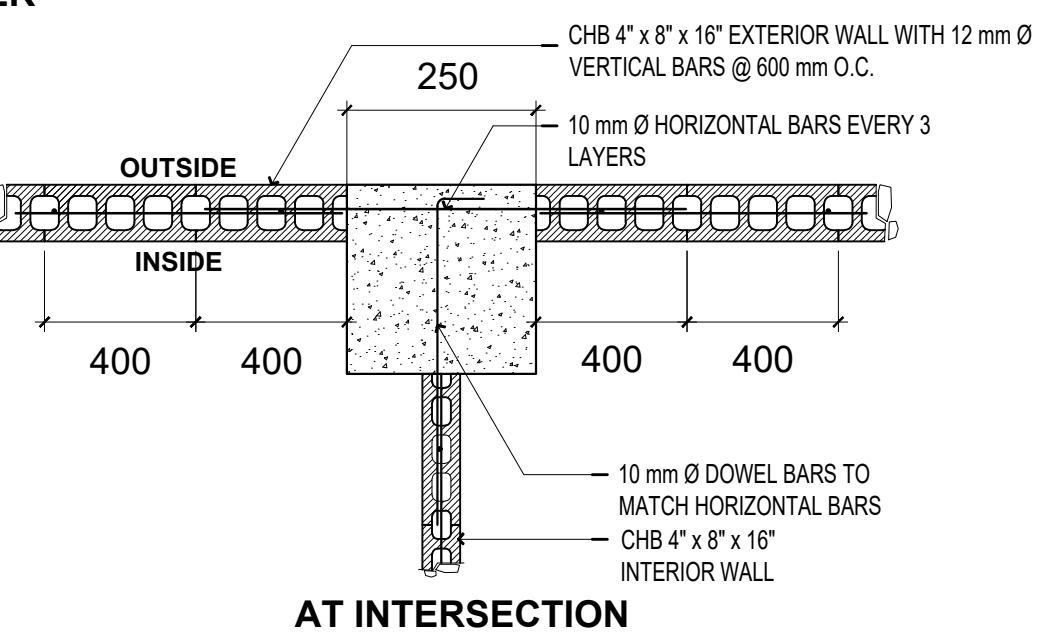
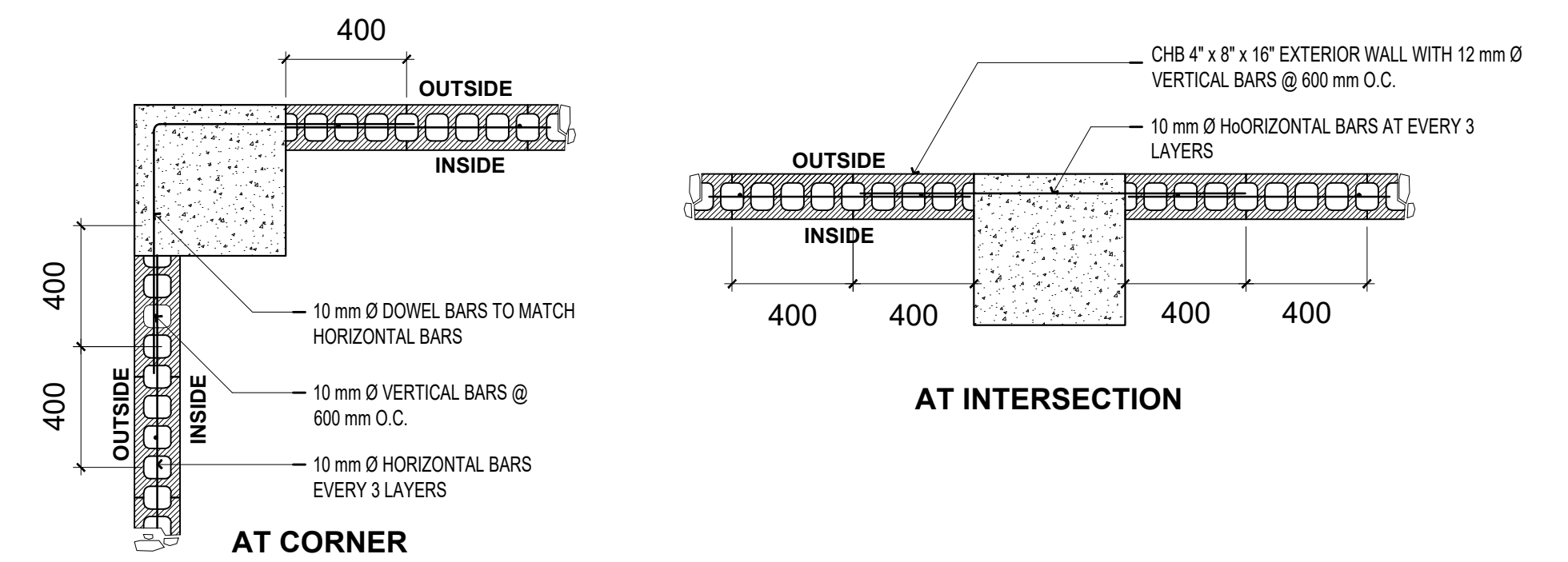
- NOTES:  
 1. WORK THIS DRAWING WITH TYPICAL BEAM REINFORCEMENT DETAIL & SECTION.  
 2. CONCRETE COMPRESSIVE STRENGTH  $f'_c = 3,000$  PSI  
 3. REBAR YIELD STRENGTH  $f_y$   
 GRADE 40 = #20MM, #16MM  
 GRADE 33 = #12MM, #10MM



TRUSSES DETAIL  
SCALE 1:30 M



EAVES DETAIL AT PARAPET  
SCALE 1:20 M



CHB WALL TO COLUMN CONN. DETAIL  
SCALE 1:20 MTS.

DESIGNED BY :

CIVIL ENGINEER

PRC NO :

PTR NO :

DATE :

TIN NO :

S E A L

PROJECT

LOCATION

OWNER

PROP. RESIDENTIAL BUILDING

GAMUTON, LANUZA, SURIGAO DEL SUR

MARIA CLAIR D. MILITANTE

APPROVED AS TO PLAN AND SPECIFICATION

MARIA CLAIR D. MILITANTE

SIGNATURE

SHEET CONTENTS

- SLAB DETAILS
- SCHEDULE OF BEAMS
- ROOF FRAMING PLAN OVER STAIRCASE
- TRUSSES DETAIL
- EAVES DETAIL
- CHB WALL TO COLUMN CONNECTION DET.

SHEET NO

S5

S5